

Carbon Dioxide Monitor



Applications

- Carbon dioxide monitoring and alarm
- Schools, offices, hotels, meeting rooms
- Shops, restaurants, hospitals, theaters
- Other public places
- Apartments, houses
- All ventilation systems



Scan the QR code to visit our website

www.iaqtongdy.com

info@tongdy.com

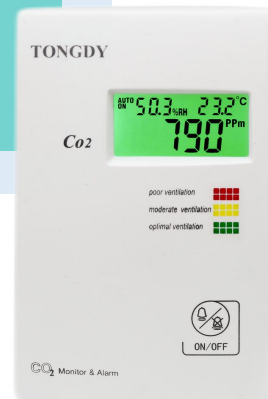
Product No:G01- CO2- B3 Series

CO2 + Temperature + Humidity Monitor/Controller

- Monitoring real time carbon dioxide and temp.&RH
- Display 24-hour CO2 average and max. value is option
- 3-color backlight LCD
- Optional 1x on/off output to control a ventilator
- Modbus RS485 communication
- Three power supply available:
 - 24VAC/VDC, 100~240VAC, USB or DC power adaptor
- Wall mounting or desktop placement
- Over 100000 sales, with high-quality and perfect reputation

Features

- Real time monitoring room carbon dioxide, temperature and humidity
- Optional display 24h average and max. CO2
- NDIR CO2 sensor with Self Calibration. It makes CO2 measurements more accurate and reliable.
- Up to 15 years lifetime of CO2 sensor
- Three-color (Green/Yellow/ Red) LCD indicates CO2 three ranges and ventilation level-optimal/moderate/poor
- Buzzer alarm available
- Optional 1xrelay output to control a ventilator and Modbus RS485 communication
- Touch button for easy operation
- 24VAC/VDC or 100~240V or USB 5V power supply
- wall mounting or desktop placement available
- High quality with the excellent performance, best choice for schools and offices
- CE-approval



Applications

G01-CO2 monitor is used to monitor/alarm indoor CO2 concentration as well as temperature and humidity. It's installed on the wall or on the desktop

- Schools, offices, hotels, meeting rooms
- Shops, restaurants, hospitals, theaters
- Airports, train stations, other public places
- Any other public places
- Apartments, houses
- All ventilation systems

Specifications

Power supply	100~240VAC or 24VAC/VDC wire connecting USB 5V (>1A for USB adaptor) 24 V with an adaptor
Consumption	3.5 W max. ; 2.5 W avg.
Gas detected	Carbon Dioxide (CO ₂)
Sensing element	Non-Dispersive Infrared Detector (NDIR)
Accuracy@25C(77 °F)	±50ppm + 3% of reading
Stability	<2% of FS over life of sensor (15 yr typical)
Calibration interval	ABC Logic Self Calibration Algorithm
CO ₂ sensor life	15 years
Response Time	<2 minutes for 90% step change
Signal update	Every 2 seconds
Warm up time	<3 minutes (operation)
CO ₂ measuring range	0~5,000ppm
CO ₂ Display resolution	1ppm
3-color backlight for CO ₂ range	Green : < 1000ppm Yellow: 1001~ 1400ppm Red: > 1400ppm
LCD Display	Real time CO ₂ , Temp &RH Optional 24h average/max. CO ₂
Temperature measuring range	-20~60C(-4~140 °F)
Humidity measuring range	0~99% RH
Relay output (optional)	One relay output with rated switching current: 5A, resistance load
Operation conditions	-20~60C(32~ 122 °F); 0~95%RH, non condensing
Storage conditions	0~50C(14~ 140 °F), 5~70%RH
Dimensions/ Weight	130mm(H) ×85mm(W) ×36.5mm(D) / 200g
Housing and IP class	PC/ABS fireproof plastic material, protection class: IP30
Installation	Wall mounting (65mm×65mm or 2"×4"wire box) Desktop placement
Standard	CE-Approval

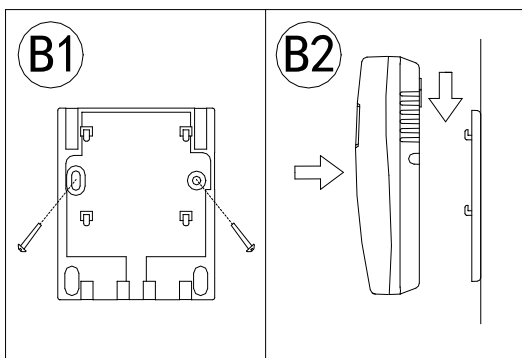
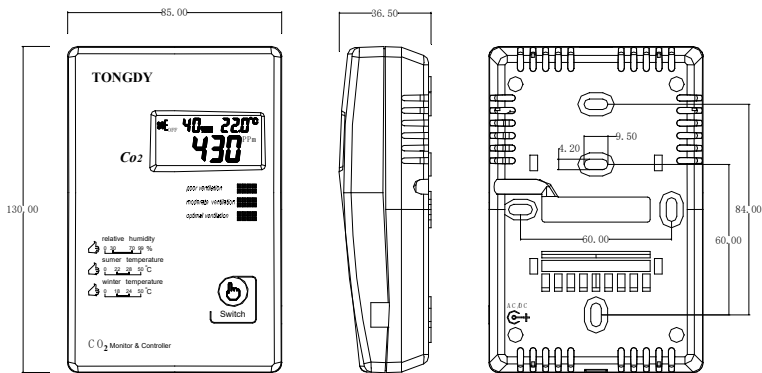


Models Guide

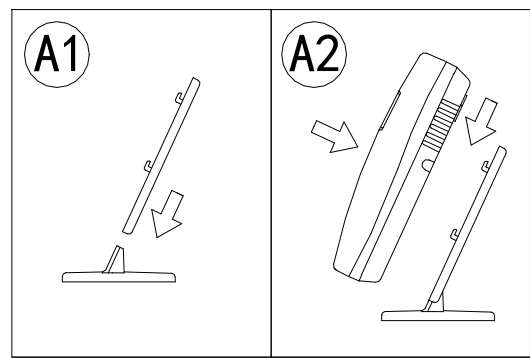
Model	Description	Display (3-color backlight)	Power Supply	Type
G01-CO2-B320C	CO2 monitor	CO2, Temp & RH	24VAC/VDC	Wall mounting
G01-CO2-B320D	CO2 monitor	CO2, Temp & RH	100~240VAC	Wall mounting
G01-CO2-B320D-ML	CO2 monitor	CO2, Temp & RH CO2 24h avg. and max.	100~240VAC	Wall mounting
G01-CO2-B332C	CO2 monitor with desktop bracket	CO2, Temp & RH	24VAC/VDC with a power adaptor	Desktop or Wall mounting
G01-CO2-B332C-ML	CO2 monitor with desktop bracket	CO2, Temp & RH CO2 24h avg. and max/min	24VAC/VDC with a power adaptor	Desktop or Wall mounting
G01-CO2-B340C	CO2 monitor/ controller, 1 on/off output;	CO2, Temp & RH	24VAC/VDC	Wall mounting
G01-CO2-B340D	CO2 monitor/ controller, 1 on/off output;	CO2, Temp & RH	100~240VAC	Wall mounting
G01-CO2-B380C	CO2 monitor/ controller, 1 on/off output; Modbus RS485 interface	CO2, Temp & RH	24VAC/VDC	Wall mounting
G01-CO2-B332U	CO2 monitor with a desktop bracket	CO2, Temp & RH	USB 5V with a USB adaptor cable	Desktop

Optional Accessories			
921	Wall mounted back panel	Use to paste the monitor on the wall	For the above models in wall mounting type
922	Desktop bracket	Use to place the monitor on desk	Make the above wall mounted models desktop

Mounting and Dimensions



Wall mounting with a back panel (921)



Desktop with the bracket (922)

Wiring Diagram

