



# BH-KZ103

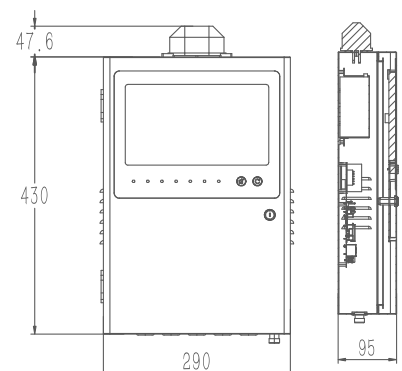
## Combustible Gas Alarm Controller

FC RoHS CE

### Technical Parameters

#### Controller

|                              |  |                  |  |
|------------------------------|--|------------------|--|
| Working voltage:             | AC Power Rated Voltage: AX220V ± 15% 50Hz; Working Current: ≤ 1.6A<br>Backup battery lead-acid battery 12V2.8Ah; Quantity: 2; Charging current: ≤ 0.5A |                  |  |
| Working environment:         | Temperature: 0°C~+40°C<br>Humidity ≤ 95%   | Input signal:    | Supports two-wire RS485 digital signal                     |
| Output power supply voltage: | DC24V±6V   | Capacity:        | A total of 128 channels (4 * 32) with matching capacity    |
| Display mode:                | 10.1-inch touch screen and status indicator light  | Output signal:   | 4 relay contacts output (capacity 10A/250VAC or 10A/30VDC) |
| Number of records:           | Alarm records: 10000<br>Fault records: 2000  | Size and weight: | 430 * 290 * 95mm, approximately 6kg                        |



# BH-KZ103

## Combustible Gas Alarm Controller

The BH-KZ103 combustible gas alarm controller (hereinafter referred to as the controller) is a wall mounted device used to connect a combustible gas detector (hereinafter referred to as the detector) with 24V DC power supply and RS485 signal output, forming a combustible gas monitoring and alarm system. This product has a wide range of external control ports, allowing users to freely choose the access port for attaching detectors and perform on-site detection and alarm through simple settings. This system is mainly used for detecting combustible gases and displaying the detected gas concentration (% LEL). When the concentration of a certain gas on site exceeds the set alarm value, the output contact is closed to drive a series of external devices, such as alarm lights, fans, etc. The controller is non explosion proof and should be installed in a safe area.



## Main Features

- 4G internet connectivity
- 10.1-inch touchscreen display
- Lead acid backup battery
- Connect the backup electrical box BH-BD32
- 4-channel relay output
- USB OTA
- Paired with an independent power box
- A total of 128 channels (4 \* 32) with matching capacity



## Technical Specifications

### BH-BD32 Standby Power Supply Box

|                        |  |                |   |
|------------------------|--|----------------|---|
| Operating temperature: | 0°C~+40°C  | Communication: | Supports two-wire RS485 digital signals |
| Relative humidity:     | ≤ 95%  | Output power:  | ≤300W                                   |
| Load capacity:         | 32 detectors   | Shell:         | Galvanized cold plate                   |
| Size:                  | 400*340*97mm   | Weight:        | About 10kg                              |
| Working voltage:       | AC power supply rated voltage: AC220V ± 15% 50HZ; Working current: ≤ 2.6A<br>Backup battery Lead acid battery 12V9.0Ah; Quantity: 2; Charging current: ≤ 0.5A  |                |   |
| Installation method:   | Fix the accessory backplate on a sturdy wall with expansion screws, and fix the two slot accessories on the back of the chassis with screws to ensure a stable assembly of the host slot and backplate |                |   |

